



Computer Based
Control Systems and Data
Systems Specialists.

Vanderbilt, Michigan
Phone 989-983-3012

Visit our website
www.nqtsi.net

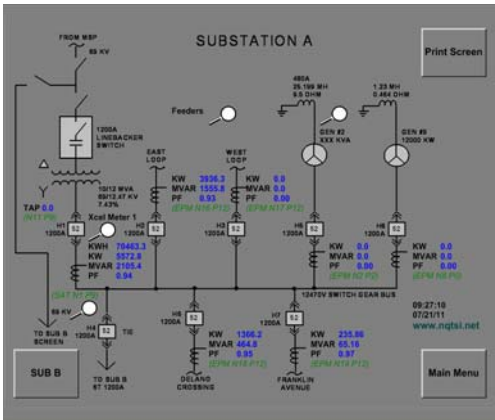


- SCADA System Specialists.
- Data Systems and Software Solutions.
- Device Communications Specialists.
- Control Systems Design and Integration.
- Computer and IT Services.
- GIS Systems.
- Customized Technical Documentation.



Power Flow One lines

Generation Data



Load and Generation Data

Generator #1 Breaker: Open	Generator #3 Breaker: Open	Generator #5 Breaker: Open
0.0 KW	0.0 KW	0.0 KW
xxxxx KW	xxxxx KW	xxxxx KW
2484.4 Volts A-B	2451.1 Volts A-B	2455.5 Volts A-B
0.0 Volts B-C	0.0 Volts B-C	2455.5 Volts B-C
0.0 Volts C-A	0.0 Volts C-A	0.0 Volts C-A
1.00 PF	1.00 PF	1.00 PF
0.0 VAR	0.0 VAR	0.0 VAR
3124 KWH	3280 KWH	2960 KWH
2.19 Gen Time	2.05 Gen Time	2.03 Gen Time

Generator #2 Breaker: Open	Generator #4 Breaker: Open	FUEL
0.0 KW	0.0 KW	Tank 1 Gallons 9140
xxxxx KW	xxxxx KW	Tank 2 Gallons 6338
2484.0 Volts A-B	2486.2 Volts A-B	Plant DC
0.0 Volts B-C	0.0 Volts B-C	Charger Current 128.70
0.0 Volts C-A	0.0 Volts C-A	Equalization Time 5 Hours
1.00 PF	1.00 PF	Diagnostic Code 0
0.0 VAR	0.0 VAR	
3056 KWH	2245 KWH	
2.35 Gen Time	2.24 Gen Time	

Generators Output SUB Station Load Live Trend

0.00 MW 2.46 MW

Springfield Power Plant 10:22:00 03/20/11

www.nqtsi.net

Utility Interface Print Screen Sub Data Feed Data Main Menu



Power Plant Readings

Substations 24 Hour Load Profiles

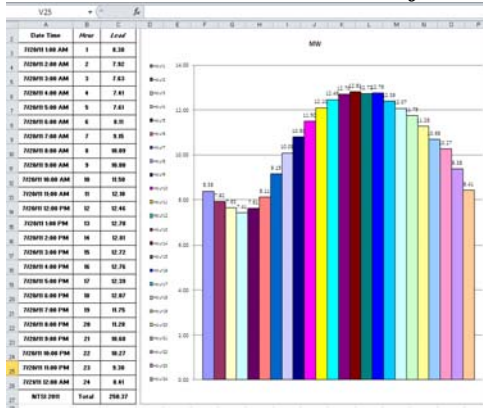
Readings 1

4160 VOLT Station Power	709075.0 KWH	1.00 PF	4257.91 AB V	4255.99 BC V	4223.05 CB V	12020 VOLT East Loop	23606.8 MWH	Task No.1 Gallons 18603	Fuel Height 119.516	Temperature 87.600
4160 VOLT Station Power Unit 9	65950.9 KWH	2.0 PF	78463.2 MWH	5825.9 KVAR	2102.0 KVAR	13054.7 MWH	84549.6 MWH	Task No.2 Gallons 4873	Fuel Height 129.533	Temperature 83.808
4160 VOLT Substation A	59462.8 MWH	4019.9 KVAR	1305.7 KVAR	0.95 PF	17368.4 MWH	13620.33 MWH	17368.4 MWH	Task No.3 Gallons 2112	Fuel Height 22.140	Temperature 80.455
4160 VOLT Feeder #1	78525.0 MWH	0.0 Position	0.0 Position	0.0 Position	0.0 Position	0.0 Position	0.0 Position	Task No.4 Gallons 12277	Fuel Height 82.960	Temperature 84.097
4160 VOLT Feeder #2	49875.3 MWH	0.0 Position	0.0 Position	0.0 Position	0.0 Position	0.0 Position	0.0 Position	Task No.5 Gallons 322	Fuel Height 5.471	Temperature 80.196
4160 VOLT Feeder #3	27808.3 MWH	0.0 Position	0.0 Position	0.0 Position	0.0 Position	0.0 Position	0.0 Position	0.0 Position	0.0 Position	0.0 Position
4160 VOLT Feeder #4	6376.6 MWH	0.0 Position	0.0 Position	0.0 Position	0.0 Position	0.0 Position	0.0 Position	0.0 Position	0.0 Position	0.0 Position
4160 VOLT Feeder #5	6376.6 MWH	0.0 Position	0.0 Position	0.0 Position	0.0 Position	0.0 Position	0.0 Position	0.0 Position	0.0 Position	0.0 Position

Delano Power Plant 09:25:59 07/21/11

www.nqtsi.net

Print Screen Readings 2 Sub Data Feed Data Main Menu



- Extensive Experience with all the Major Software Providers.
- Computer based Data Collection and Control.
- Production Analysis Systems.
- Process Analysis - Efficiency Evaluations.
- Data Reports - MSSQL and Excel based Documents.
- Automatic Data Printouts.
- Configurable time Demand Intervals.
- Generation Performance.
- PLC Programming all Makes.



NTSI is a Authorized
GE Solutions Provider.